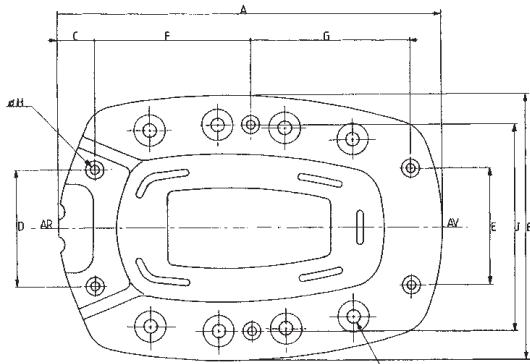
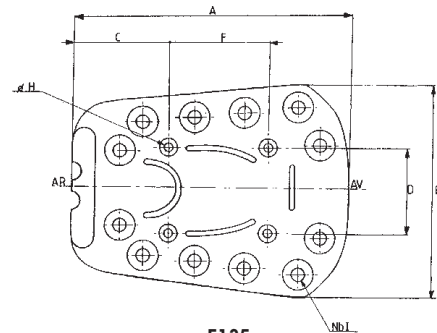


## ► MAST STEPS ON DECK - MAIN DIMENSIONS

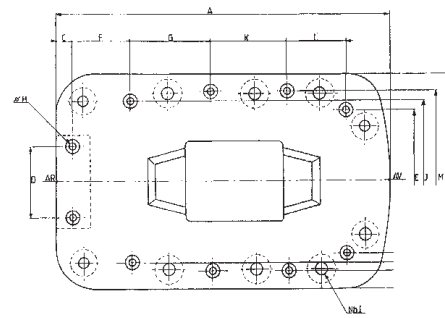
2004



F195 à F1060



F135



Réf. 36053213953 pour F1395 et F1410 E

Extrusions	A	B	C	D	E	F	G	H	Nb. I	J	K	L	M	Ep
<b>F78 FIXE + IMS80</b>	162	130	24,5	58		118			8					18
<b>F135</b>	242	183	83	75		87		8,5	12					13
<b>F195</b>	254	230	20	136	136	111	103	8,5	10	198				15
<b>F305 - F385</b>	296	205	38	71	100	80	152	8,5	10	159				18
<b>F460 - F580 F560E</b>	332	229	32	100	100	135	137	8,5	8	178				18
<b>F580 - F740 F760E</b>	350	225	43	120	144	129	125	8,5	10	188				11
<b>F1060 F980E</b>	369	236	33,5	80	124	117	192	8,5	12	190				15
<b>F1395 F1410E</b>	375	240	18	80	160	66	90	8,5	10	180	86	65	200	15+27

## ► MAST STEP WITH MAST BASES

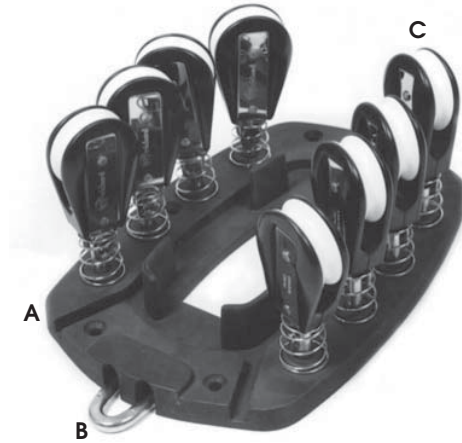
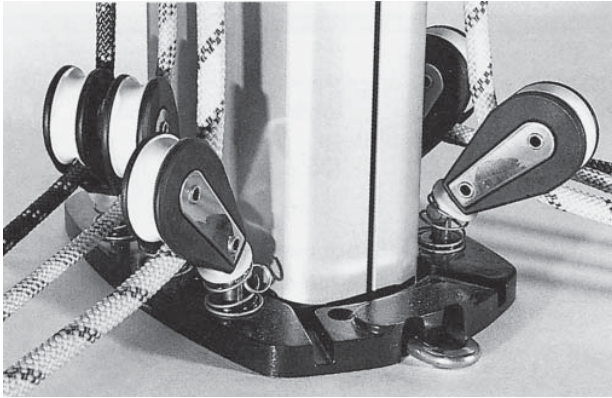


Réf. 36014213953 pour F1395



Réf. 36014214103 pour F1410 E

## ► MAST STEPS ON DECK



### MAST STEPS

May be fitted with several halyard blocks and one vang bale.

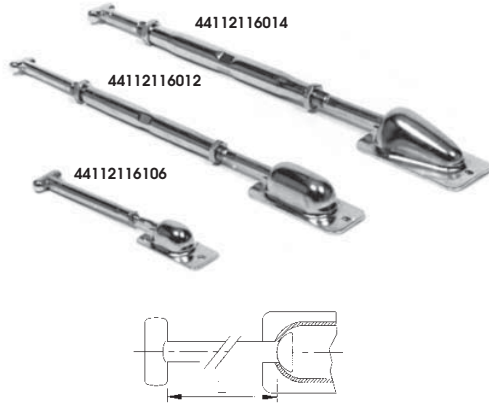
PROFILE	Cast step	Bale	Block	Qt	Pin ø
<b>F78-IMS80 FIXE</b>	36032200783 + 36075370784*		SM45	8	ø 12
<b>F135</b>	36031201353	47505558124	SC58 - SS58	12	ø 12
<b>F195</b>	36031201953	47505558124	SC58 - SS58	10	ø 12
<b>F305-385</b>	36031203053	47505558124	SC58 - SS58	10	ø 12
<b>F460-580-560E</b>	36031204603	47505558124	SC58 - SS58	8	ø 12
<b>F580-740-760E</b>	36031205803	47505558124	SC70 - SS70	10	ø 14
<b>F1060-980E</b>	36031210603	35251871044	SC70 - SS70	10	ø 14
<b>F1395</b>	36053213953 + 36014213953	35251873814	SC70 - SS70	10	ø 14
<b>F2390</b>	36053213953 + 36013223903	35251873814	SC70 - SS70	10	ø 14

\* Option : s/s plate for block.

## STEP AND DECK COLLAR HARDWARE

### ► TIE ROD

2004



**44112116006** Tie rod for deck collar 36061201353.  
Internal tang n° 2,5. not included

**44112116106** Tie rod for deck collar 36061201353.  
Internal tang n° 2,5. not included

**44112116010** Tie rod for deck collar 36061204603  
Internal tang n° 3,7. not included

**44112116012** Tie rod for deck collar 36061204603  
Internal tang n° 3,7. not included

**44112116014** Tie rod for deck collar 36061110603.  
Internal tang n° 4. not included

	44112116006	44112116106	44112116010	44112116012	44112116014
L	140 mm	240 mm	335 mm	330 mm	410 mm

### ► COMPLETE MAST STEP BLOCKS



SC - FIXED TOGGLE BLOCK

TYPE	BLOCK COMPLET
SC45	<b>48214000SC3</b>
SC58	<b>48214000SC4</b>
SC70	<b>48214000SC7</b>



SS - ARTICULATED TOGGLE BLOCK

TYPE	BLOCK COMPLET
SS45	<b>48214000SS3</b>
SS58	<b>48214000SS4</b>
SS70	<b>48214000SS7</b>



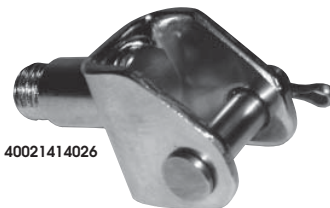
SM - ARTICULATED SCHAKLE BLOCK

TYPE	BLOCK COMPLET
SM45	<b>48214000SM3</b>
SM58	<b>48214000SM4</b>
SM70	<b>48214000SM7</b>



OPTION  
THREADED PIN

PIN	NUT	Block style
<b>40020412042</b>	<b>28606508000</b>	SC45 - SC58 SS45 - SS58
<b>40020414051</b>	<b>28606508000</b>	SC70 - SS70



40021414026

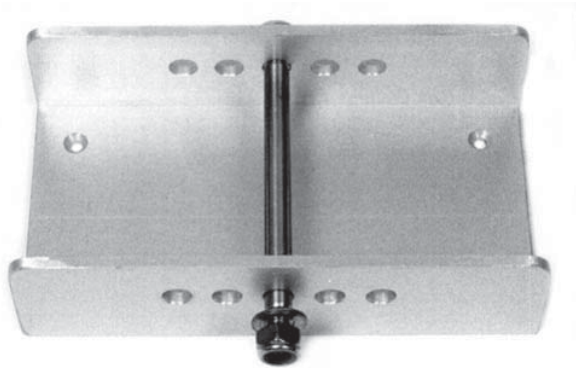
OPTION TOGGLE

PIN	TOGGLE	NUT	Block style
<b>40020412042</b>	<b>40021412027</b>	<b>28606508000</b>	SC45-SC58-SS45-SS58
<b>40020414051</b>	<b>40021414026</b>	<b>28606508000</b>	SC70-SS70

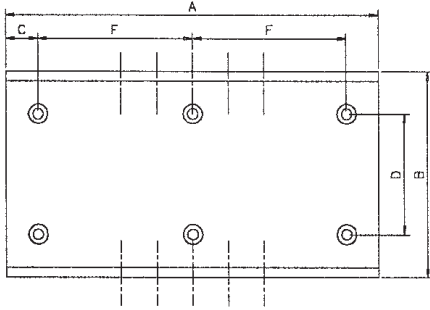


40021412027

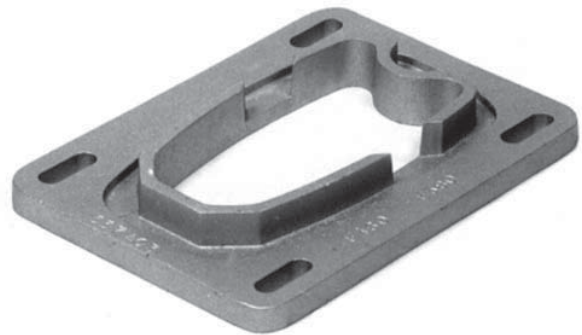
## ► MAST STEP ON KEEL



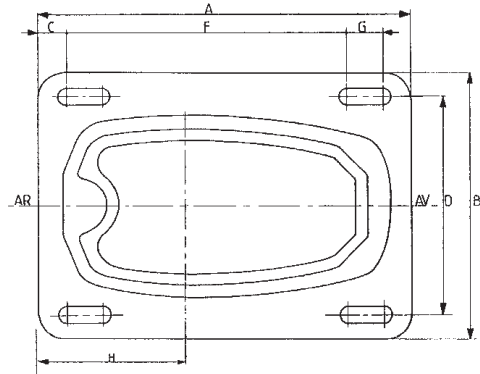
Type I



F78 to F580



Type II



F195 to F1060

2004

Type	PROFILE	REF	A	B	C	D	F	G	H	Th.	PIN	WASHERS	NUTS
	F78-IMS80-F135	36032201355	210	100	15	60	90			5	40020510130	28601010000 x2	28600510000 x2
I	F195-F305	36032203055	230	125	20	73	95			6	40020512160	28601012000 x2	28600512000 x2
	F385-F460-F580	36032205805	274	140	20	100					40020512184	28601012000 x2	28600512000 x2
*	F78 - IMS 80	36032200783	180	120	15	90	130	20	84	5	40020508108	28602308015 x2	28600508000 x2
	F195	36032201953	198	160	18	127	137	25	80	13			
	F305-F385	36032203053	230	170	20	137	165	25	96	13			
	F460-F560E-F580	36032204603	260	184	20	150	195	25	110	15			
II	F580-F740-F760E	36032205803	318	160	17	130	257	27	166	13			
	F980E-F1060	36032210603	325	200	20	165	250	37	141	14			
	F1395	36032213953	298	174					122	19			

\* S/s thru pin in option.